

# SILICONE HOSE HUMP BELLOW CONNECTOR

SKU / PART NUMBER: SHU

**Application:** Radiator / Coolant / Water Hose

**Reinforcement:** 3 / 4 Ply Polyester

**Temperature Rated:** -60°C to +180°C

**Standard:** SAEJ20

**Colour:** Blue / Red / Black



Internal Diameter	Outside Diameter	No. Of Plys	Working Pressure	Bursting Pressure
6.5mm	15.5mm	3	12.33 Bar	37.00 Bar
8mm	17mm	3	11.67 Bar	35.00 Bar
9.5mm	18.5mm	3	11.67 Bar	35.00 Bar
11mm	20mm	3	9.00 Bar	30.00 Bar
13mm	22mm	3	8.33 Bar	27.00 Bar
16mm	25mm	3	7.17 Bar	25.00 Bar
19mm	28mm	3	6.50 Bar	19.50 Bar
22mm	31mm	3	5.80 Bar	17.40 Bar
25mm	34mm	3	5.5 Bar	16.50 Bar
28mm	37mm	3	5.33 Bar	16.00 Bar
30mm	39mm	3	5.33 Bar	16.00 Bar
32mm	41mm	3	5.17 Bar	15.50 Bar
35mm	44mm	3	5.00 Bar	15.00 Bar
38mm	47mm	3	5.00 Bar	15.00 Bar
40mm	49mm	3	4.83 Bar	14.50 Bar
45mm	54mm	3	4.67 Bar	14.00 Bar

Tel : 01924 496111

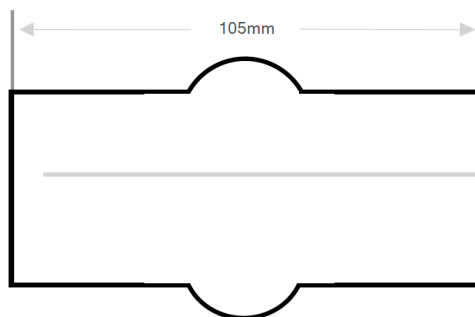
Web: [autosiliconehoses.com](http://autosiliconehoses.com)

Email: [web@autosiliconehoses.com](mailto:web@autosiliconehoses.com)

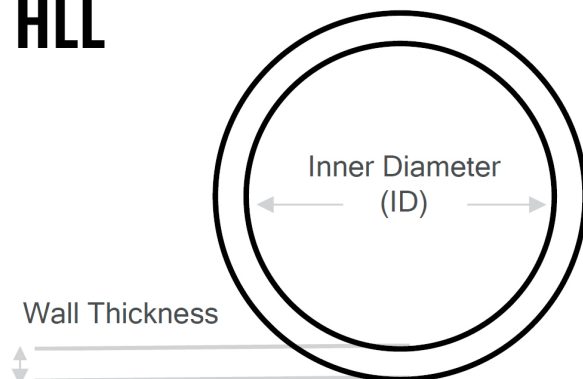
Google: [Find us on Google](#)

Internal Diameter	Outside Diameter	No. Of Plys	Working Pressure	Bursting Pressure
48mm	57mm	3	4.50 Bar	13.50 Bar
51mm	62mm	4	4.50 Bar	13.50 Bar
54mm	65mm	4	4.33 Bar	13.00 Bar
57mm	68mm	4	4.33 Bar	13.00 Bar
60mm	71mm	4	4.17 Bar	12.50 Bar
63mm	74mm	4	4.00 Bar	12.00 Bar
65mm	76mm	4	3.83 Bar	11.50 Bar
68mm	79mm	4	3.67 Bar	11.00 Bar
70mm	81mm	4	3.50 Bar	10.50 Bar
76mm	87mm	4	3.50 Bar	10.50 Bar
80mm	91mm	4	3.33 Bar	10.00 Bar
83mm	94mm	4	3.17 Bar	9.50 Bar
90mm	101mm	4	3.00 Bar	9.00 Bar
102mm	113mm	4	2.83 Bar	8.50 Bar

## HUMP HOSE



## ALL



- Tel : 01924 496111
- Web: [autosiliconehoses.com](http://autosiliconehoses.com)
- Email: [web@autosiliconehoses.com](mailto:web@autosiliconehoses.com)
- Google: [Find us on Google](#)